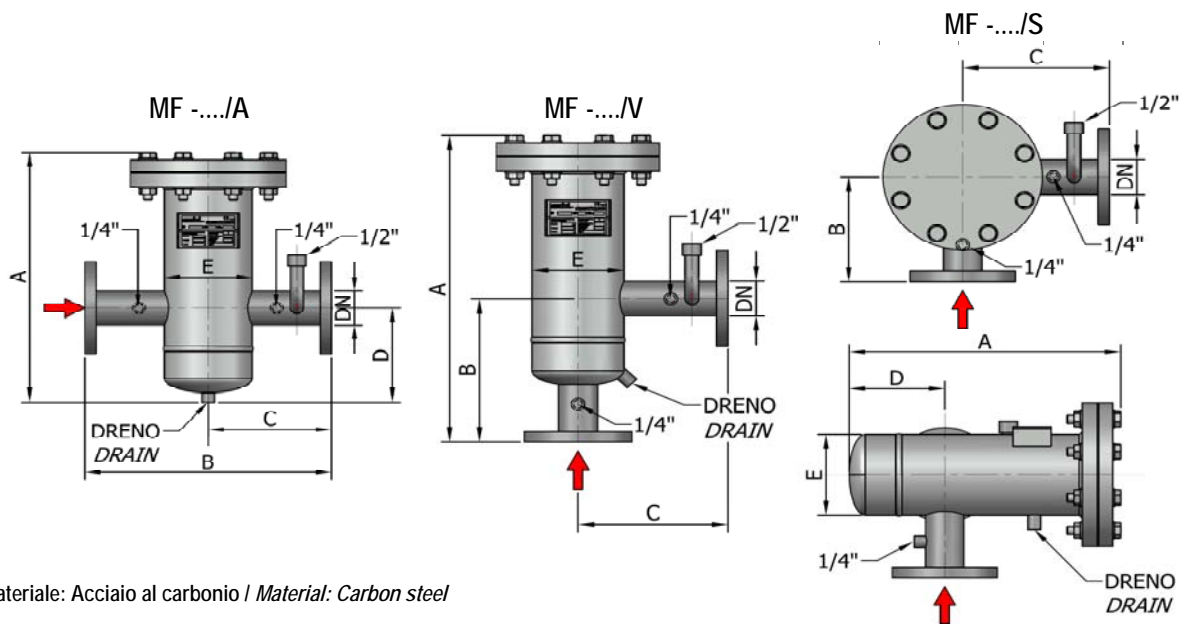


DATI TECNICI / TECHNICAL DATA			ACCESSORI / ACCESSORIES	
PRESSIONE DI PROGETTO (PS): <i>DESIGN PRESSURE (PS):</i>	19	BARG	1)	MANOMETRO DIFFERENZIALE <i>DIFFERENTIAL PRESSURE INDICATOR</i>
TEMPERATURA DI PROGETTO (TS): <i>DESIGN TEMPERATURE (TS):</i>	-10/+50	°C	2)	MANIFOLD PER MANOMETRO DIFFERENZIALE <i>MANIFOLD FOR DIFFERENTIAL PRESSURE INDICATOR</i>
FLUIDO: <i>FLUID:</i>	GAS NATURALE <i>NATURAL GAS</i>		3)	VALVOLA DI DRENO <i>DRAIN VALVE</i>
FLANGIATURA BOCCELLI: <i>FLANGES OF NOZZLES:</i>	ANSI 150 RF		4)	MANOMETRO E RUBINETTO PORTAMANOMETRO <i>PRESSURE INDICATOR AND NEEDLE VALVE</i>



Materiale: Acciaio al carbonio / *Material: Carbon steel*

TIPO TYPE	DN BOCCELLI / NOZZLES DN		DN DRENO DRAIN	DN MANOMETRO DIFF. PRESS. INDICATOR	CARTUCCIA CARTRIDGE		CATEG. CATEG. PED	PESO WEIGHT (KG)	CAPACITÀ CAPACITY (L)
	ENTRATA IN	USCITA OUT			MOD.	AREA cm <sup>2</sup>			
MF-0.5	25 / 32 / 40	25 / 32 / 40	1/2" NPT	1/4" NPT	G0.5	600	II	13	3
MF-1	40 / 50	25 / 32 / 40 / 50	1/2" NPT	1/4" NPT	G1	1250	II	34	6
MF-1.5	50 / 65 / 80	40 / 50 / 65 / 80	1/2" NPT	1/4" NPT	G1.5	2300	III	47	11
MF-2	80 / 100	50 / 65 / 80 / 100	1/2" NPT	1/4" NPT	G2	4700	III	79	21
MF-2.5	100 / 125	80 / 100 / 125	3/4" NPT	1/4" NPT	G2.5	7250	III	102	38
MF-3	125 / 150	100 / 125 / 150	3/4" NPT	1/4" NPT	G3	9500	IV	160	62
MF-4	150 / 200	125 / 150 / 200	3/4" NPT	1/4" NPT	G4	14500	IV	265	120
MF-5	200 / 250 / 300	200 / 250 / 300	1" NPT	1/4" NPT	G5	23000	IV	400	251
MF-6	200 / 250 / 300	200 / 250 / 300	1" NPT	1/4" NPT	G6	42000	IV	580	460

TIPO TYPE	DIMENSIONI / DIMENSIONS (mm)											
	MF-.../A				MF-.../V			MF-.../S				MF-.../A/V/S
	A	B	C	D	A	B	C	A	B	C	D	E
MF-0.5	355	320	170	155	415	215	170	325	150	170	125	ø114
MF-1	460	400	200	170	530	245	230	435	180	230	150	ø141
MF-1.5	540	450	225	190	610	260	270	510	195	270	170	ø168
MF-2	650	500	250	225	730	300	300	620	240	300	200	ø219
MF-2.5	730	600	300	270	800	345	330	700	280	330	240	ø273
MF-3	835	650	325	315	910	390	400	805	300	400	290	ø324
MF-4	1045	800	400	370	1125	450	450	1020	350	450	340	ø406
MF-5	1310	900	450	503	-	-	-	-	-	-	-	ø508
MF-6	1550	1200	600	700	-	-	-	-	-	-	-	ø610

Dati tecnici, tipologie e dimensioni sono personalizzabili su richiesta.  
*Technical data, types and dimensions can be customized on request.*