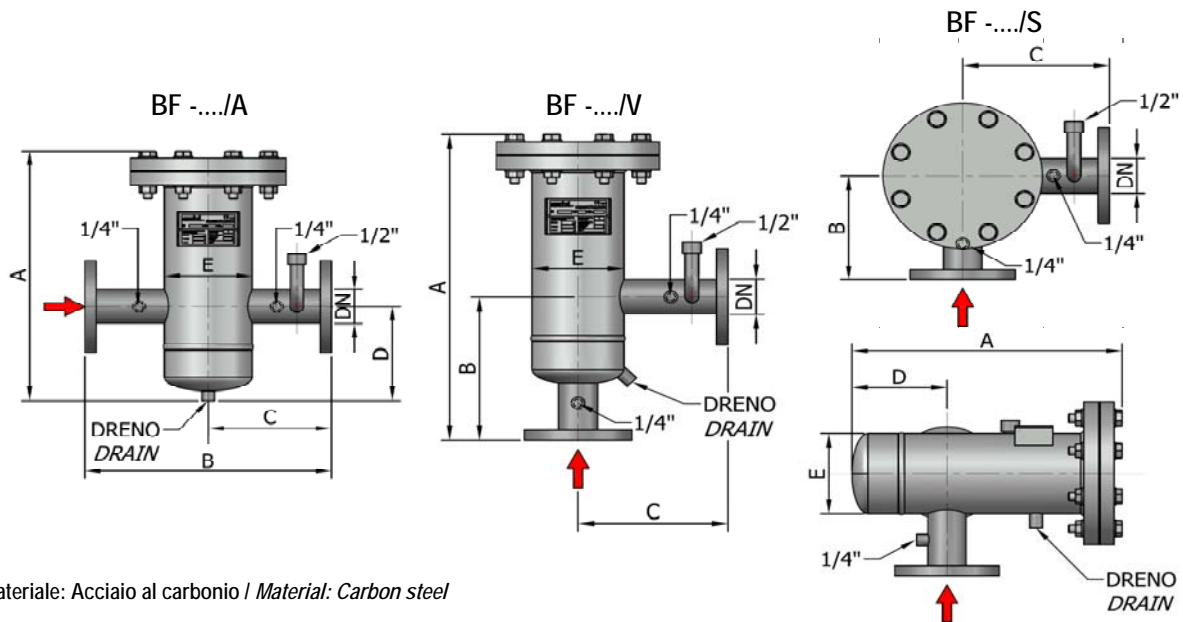


DATI TECNICI / TECHNICAL DATA			ACCESSORI / ACCESSORIES	
PRESSIONE DI PROGETTO (PS): DESIGN PRESSURE (PS):	6	BARG	1)	MANOMETRO DIFFERENZIALE DIFFERENTIAL PRESSURE INDICATOR
TEMPERATURA DI PROGETTO (TS): DESIGN TEMPERATURE (TS):	-10/+50	°C	2)	MANIFOLD PER MANOMETRO DIFFERENZIALE MANIFOLD FOR DIFFERENTIAL PRESSURE INDICATOR
FLUIDO: FLUID:	GAS NATURALE NATURAL GAS		3)	VALVOLA DI DRENO DRAIN VALVE
FLANGIATURA BOCCELLI: FLANGES OF NOZZLES:	PN 16 - ANSI 150 RF		4)	MANOMETRO E RUBINETTO PORTAMANOMETRO PRESSURE INDICATOR AND NEEDLE VALVE



Materiale: Acciaio al carbonio / Material: Carbon steel

TIPO TYPE	DN BOCCELLI / NOZZLES DN		DN DRENO DRAIN	DN MANOMETRO DIFF. PRESS. INDICATOR	CARTUCCIA CARTRIDGE		CATEG. CATEG. PED	PESO WEIGHT (KG)	CAPACITÀ CAPACITY (L)
	ENTRATA IN	USCITA OUT			MOD.	AREA cm ²			
BF-0.5	25 / 32 / 40	1"1/4"1"1/2 THR 25 / 32 / 40	1/2" NPT	1/4" NPT	G0.5	600	Art. 4.3	12	2
BF-1	40 / 50	25 / 32 / 40 / 50	1/2" NPT	1/4" NPT	G1	1250	I	32	6
BF-1.5	50 / 65 / 80	40 / 50 / 65 / 80	1/2" NPT	1/4" NPT	G1.5	2300	II	41	11
BF-2	80 / 100	50 / 65 / 80 / 100	1/2" NPT	1/4" NPT	G2	4700	II	68	21
BF-2.5	100 / 125	80 / 100 / 125	3/4" NPT	1/4" NPT	G2.5	7250	III	83	38
BF-3	125 / 150	100 / 125 / 150	3/4" NPT	1/4" NPT	G3	9500	III	132	62
BF-4	150 / 200	125 / 150 / 200	3/4" NPT	1/4" NPT	G4	14500	III	245	120
BF-5	200 / 250 / 300	200 / 250 / 300	1" NPT	1/4" NPT	G5	23000	IV	360	251
BF-6	200 / 250 / 300	200 / 250 / 300	1" NPT	1/4" NPT	G6	42000	IV	550	460

TIPO TYPE	DIMENSIONI / DIMENSIONS (mm)											
	BF-.../A				BF-.../V			BF-.../S				BF-.../A/VS
	A	B	C	D	A	B	C	A	B	C	D	E
BF-0.5	290	370 320	220 170	125	320	150	220 170	260	150	220 170	95	ø114
BF-1	460	400	200	170	530	245	230	435	180	230	150	ø141
BF-1.5	540	450	225	190	610	260	270	510	195	270	170	ø168
BF-2	650	500	250	225	730	300	300	620	240	300	200	ø219
BF-2.5	730	600	300	270	800	345	330	700	280	330	240	ø273
BF-3	835	650	325	315	910	390	400	805	300	400	290	ø324
BF-4	1045	800	400	370	1125	450	450	1020	350	450	340	ø406
BF-5	1310	900	450	503	-	-	-	1270	450	450	470	ø508
BF-6	1550	1200	600	700	-	-	-	-	-	-	-	ø610

Dati tecnici, tipologie e dimensioni sono personalizzabili su richiesta.

Technical data, types and dimensions can be customized on request.